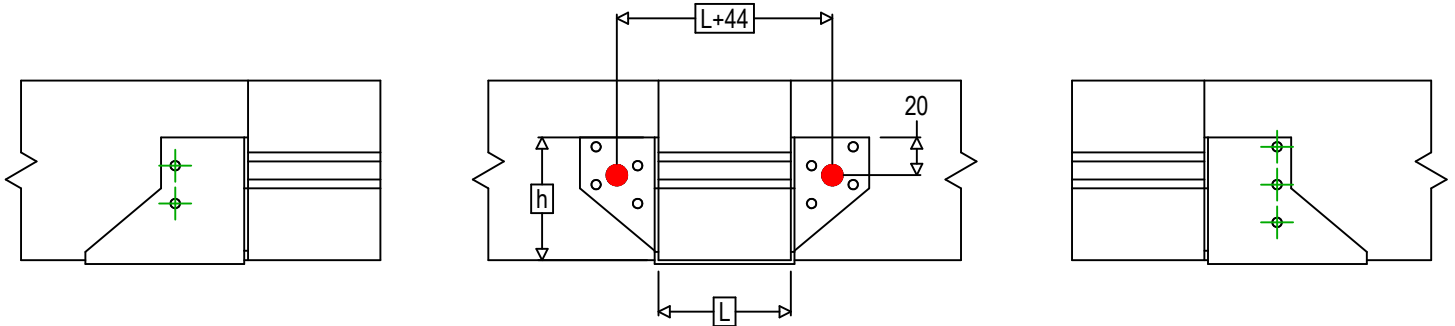


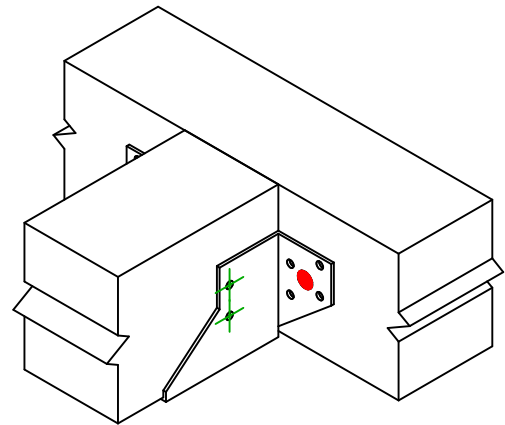
Fastening pattern



Item	=	SAE200	
Fasteners	=	Timber to timber	Joist to beam
Type of fastening	=	Fixing with SSH	



$$h = (200 - L) / 2$$



Header Fastener(s)	Symbol	Fasteners	Fasteners		Qty	
	●	SSH		SSH10.0X40		2
		-	-	-		
Joist Fastener(s)	Symbol	Fasteners	L < 64mm	L > 64mm	Qty	
	⊕	CNA		CNA4.0X35	CNA4.0X50	5
		CSA		CSA5.0X35	CSA5.0X40	