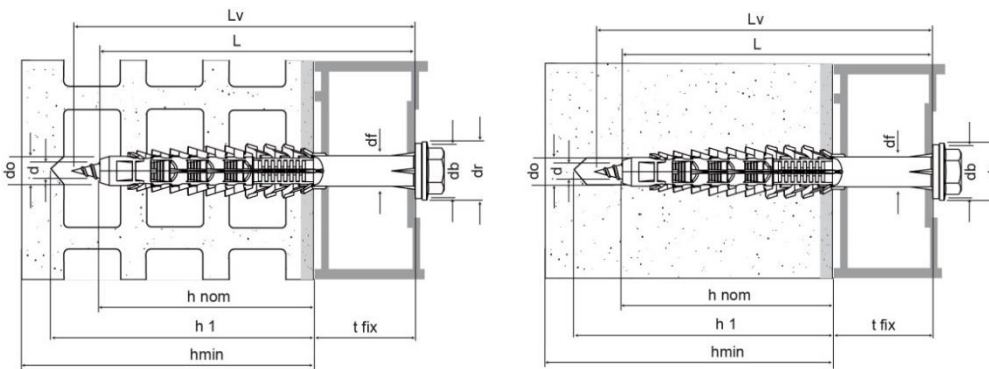




EAD 330284-00-0604  
ETA - 19/0245

**DATI TECNICI - TECHNICAL DATA**



- tfix = spessore max fissabile  
fixture thickness
- do = diametro foro / hole diameter
- h1 = profondità minima foro  
minimum hole depth
- hnom = profondità minima di posa  
nominal embedment depth
- hmin = spessore minimo supporto  
minimum support thickness
- d = diametro vite / screw diameter
- db = diametro bordo  
rim diameter
- df = diametro di passaggio sul  
pezzo / hole diameter of fixing  
element
- dr = diametro rondella  
washer diameter
- L = lunghezza ancorante  
anchor length
- Lv = lunghezza vite / screw length

NOTE: In presenza di intonaco lo spessore dello stesso deve essere compreso nello spessore fissabile tfix  
NOTE: The thickness of the plaster must be included in the fixing thickness tfix

| Tassello in nylon testa svasata / Countersunk nylon plug |                   |                  |                  |              |                   |                  |                  |                             |     |                  |            |           |              |                                    |    |     |     |     |      |   |              |
|--|-------------------|------------------|------------------|--------------|-------------------|------------------|------------------|-----------------------------|-----|------------------|------------|-----------|--------------|------------------------------------|----|-----|-----|-----|------|---|--------------|
| tipo<br>type<br>do x L                                   | tfix*<br>[mm]     |                  |                  | h1<br>[mm]   | hnom<br>[mm]      |                  |                  | hmin <sup>(4)</sup><br>[mm] |     |                  | df<br>[mm] | d<br>[mm] | Lv<br>[mm]   | Cod.<br>Solo tassello<br>Plug only |    |     |     |     |      |   |              |
|  | 1 <sup>(1)</sup>  | 2 <sup>(1)</sup> | 3 <sup>(2)</sup> |              | 1 <sup>(1)</sup>  | 2 <sup>(1)</sup> | 3 <sup>(2)</sup> | 1                           | 2   | 3 <sup>(2)</sup> |            |           |              |                                    |    |     |     |     |      |   |              |
| Ø6x35  | 10 <sup>(3)</sup> | 5                | -                | hnom + 10    | 25 <sup>(3)</sup> | 30               | -                | 80                          | 80  | -                | 6,5        | 4 ÷ 4,5   | 64600006035■ |                                    |    |     |     |     |      |   |              |
| Ø6x50  | 25 <sup>(3)</sup> | 20               | -                |              |                   |                  |                  |                             |     |                  |            |           | 64600006050■ |                                    |    |     |     |     |      |   |              |
| Ø6x60  | 35 <sup>(3)</sup> | 30               | -                |              |                   |                  |                  |                             |     |                  |            |           | 64600006060■ |                                    |    |     |     |     |      |   |              |
| Ø6x70  | 45 <sup>(3)</sup> | 40               | -                |              |                   |                  |                  |                             |     |                  |            |           | 64600006070■ |                                    |    |     |     |     |      |   |              |
| Ø8x60  | 20                | 10               | -                | hnom + 15    | 40                | 50               | -                | 100                         | 100 | -                | 8,5        | 6         | 64600008060■ |                                    |    |     |     |     |      |   |              |
| Ø8x80  | 40                | 30               | -                |              |                   |                  |                  |                             |     |                  |            |           | 64600008080■ |                                    |    |     |     |     |      |   |              |
| Ø8x100   | 60                | 50               | -                |              |                   |                  |                  |                             |     |                  |            |           | 64600008100■ |                                    |    |     |     |     |      |   |              |
| Ø8x120   | 80                | 70               | -                |              |                   |                  |                  |                             |     |                  |            |           | 64600008120■ |                                    |    |     |     |     |      |   |              |
| Ø10x60   | 10                | -                | -                |              |                   |                  |                  |                             |     |                  |            |           | 50           | -                                  | -  | 100 | -   | -   | 10,5 | 7 | 64600010060■ |
| Ø10x80   | 30                | 10               | -                |              |                   |                  |                  |                             |     |                  |            |           | 50           | 70                                 | -  | 100 | 120 | -   |      |   | 64600010080■ |
| Ø10x100  | 50                | 30               | 10               |              |                   |                  |                  |                             |     |                  |            |           | 50           | 70                                 | 90 | 100 | 120 | 240 |      |   | 64600010100■ |
| Ø10x120  | 70                | 50               | 30               |              |                   |                  |                  |                             |     |                  |            |           |              |                                    |    |     |     |     |      |   | 64600010120■ |
| Ø10x140  | 90                | 70               | 50               |              |                   |                  |                  |                             |     |                  |            |           |              |                                    |    |     |     |     |      |   | 64600010140■ |
| Ø10x160  | 110               | 90               | 70               |              |                   |                  |                  |                             |     |                  |            |           |              |                                    |    |     |     |     |      |   | 64600010160■ |
| Ø10x200  | 150               | 130              | 110              | 64600010200■ |                   |                  |                  |                             |     |                  |            |           |              |                                    |    |     |     |     |      |   |              |
| Ø10x230  | 180               | 160              | 140              | 64600010230■ |                   |                  |                  |                             |     |                  |            |           |              |                                    |    |     |     |     |      |   |              |
| Ø10x260  | 210               | 190              | 170              | 64600010260■ |                   |                  |                  |                             |     |                  |            |           |              |                                    |    |     |     |     |      |   |              |
| Ø10x290  | 240               | 220              | 200              | 64600010290■ |                   |                  |                  |                             |     |                  |            |           |              |                                    |    |     |     |     |      |   |              |

| Tassello in nylon testa svasata con vite speciale TPS POZI<br>Countersunk nylon plug with special countersunk head screw POZIDRIVE recess |                   |                  |                  |            |                   |                  |                  |                             |     |                  |            |           |            |              |   |    |    |     |     |     |      |   |    |     |              |
|---|-------------------|------------------|------------------|------------|-------------------|------------------|------------------|-----------------------------|-----|------------------|------------|-----------|------------|--------------|---|----|----|-----|-----|-----|------|---|----|-----|--------------|
| tipo<br>type<br>do x L  | tfix*<br>[mm]     |                  |                  | h1<br>[mm] | hnom<br>[mm]      |                  |                  | hmin <sup>(4)</sup><br>[mm] |     |                  | df<br>[mm] | d<br>[mm] | Lv<br>[mm] | Pozi         | Cod.<br>Zincato bianco<br>White zinc ptd. |    |    |     |     |     |      |   |    |     |              |
|   | 1 <sup>(1)</sup>  | 2 <sup>(1)</sup> | 3 <sup>(2)</sup> |            | 1 <sup>(1)</sup>  | 2 <sup>(1)</sup> | 3 <sup>(2)</sup> | 1                           | 2   | 3 <sup>(2)</sup> |            |           |            |              |   |    |    |     |     |     |      |   |    |     |              |
| Ø6x35   | 10 <sup>(3)</sup> | 5                | -                | hnom + 10  | 25 <sup>(3)</sup> | 30               | -                | 80                          | 80  | -                | 6,5        | 4,5       | 40         | PZ2          | 64601b06035■                              |    |    |     |     |     |      |   |    |     |              |
| Ø6x50   | 25 <sup>(3)</sup> | 20               | -                |            |                   |                  |                  |                             |     |                  |            |           |            |              | 64601b06050■                              |    |    |     |     |     |      |   |    |     |              |
| Ø6x60   | 35 <sup>(3)</sup> | 30               | -                |            |                   |                  |                  |                             |     |                  |            |           |            |              | 64601b06060■                              |    |    |     |     |     |      |   |    |     |              |
| Ø6x70   | 45 <sup>(3)</sup> | 40               | -                |            |                   |                  |                  |                             |     |                  |            |           |            |              | 64601b06070■                              |    |    |     |     |     |      |   |    |     |              |
| Ø8x60   | 20                | 10               | -                | hnom + 15  | 40                | 50               | -                | 100                         | 100 | -                | 8,5        | 6         | 68         | PZ3          | 64601b08060■                              |    |    |     |     |     |      |   |    |     |              |
| Ø8x80   | 40                | 30               | -                |            |                   |                  |                  |                             |     |                  |            |           |            |              | 64601b08080■                              |    |    |     |     |     |      |   |    |     |              |
| Ø8x100  | 60                | 50               | -                |            |                   |                  |                  |                             |     |                  |            |           |            |              | 64601b08100■                              |    |    |     |     |     |      |   |    |     |              |
| Ø8x120  | 80                | 70               | -                |            |                   |                  |                  |                             |     |                  |            |           |            |              | 64601b08120■                              |    |    |     |     |     |      |   |    |     |              |
| Ø10x60  | 10                | -                | -                |            |                   |                  |                  |                             |     |                  |            |           |            |              | 50  | -  | -  | 100 | -   | -   | 10,5 | 7 | 68 | PZ4 | 64601b10060■ |
| Ø10x80  | 30                | 10               | -                |            |                   |                  |                  |                             |     |                  |            |           |            |              | 50  | 70 | -  | 100 | 120 | -   |      |   |    |     | 64601b10080■ |
| Ø10x100   | 50                | 30               | 10               |            |                   |                  |                  |                             |     |                  |            |           |            |              | 50  | 70 | 90 | 100 | 120 | 240 |      |   |    |     | 64601b10100■ |
| Ø10x120   | 70                | 50               | 30               |            |                   |                  |                  |                             |     |                  |            |           |            |              |   |    |    |     |     |     |      |   |    |     | 64601b10120■ |
| Ø10x140   | 90                | 70               | 50               |            |                   |                  |                  |                             |     |                  |            |           |            |              |   |    |    |     |     |     |      |   |    |     | 64601b10140■ |
| Ø10x160   | 110               | 90               | 70               |            |                   |                  |                  |                             |     |                  |            |           |            |              |   |    |    |     |     |     |      |   |    |     | 64601b10160■ |
|   |                   |                  |                  |            |                   |                  |                  |                             |     | 148              |            |           |            | 64601b10140■ |   |    |    |     |     |     |      |   |    |     |              |
|   |                   |                  |                  |            |                   |                  |                  |                             |     | 168              |            |           |            | 64601b10160■ |   |    |    |     |     |     |      |   |    |     |              |

■ Misure non certificate CE / Not covered by CE certification

\*Compreso di intonaco / including plaster

<sup>(1)</sup> Valori di riferimento su tutti i supporti / Reference values on all types of base materials

<sup>(2)</sup> Valori riferiti esclusivamente su supporti in Calcestruzzo aerato autoclavato AAC / Values only for Autoclaved aerated concrete AAC base material

<sup>(3)</sup> Valori riferiti esclusivamente al Ø6 su supporti forati, vedi tabella CARICHI AMMISSIBILI (consigliati) / Values only for Ø6 on hollow base materials, see RECOMMENDED LOADS table.

<sup>(4)</sup> Valori di riferimento su calcestruzzo / Reference values on concrete.

**Tassello in nylon testa svasata con vite speciale TPS TORX / Countersunk nylon plug with special countersunk head screw TORX recess**

| tipo<br>type<br>do x L | tfix*<br>[mm]    |                  |                  | h1<br>[mm] | hnom<br>[mm]     |                  |                  | hmin (4)<br>[mm] |     |                  | df<br>[mm]  | d<br>[mm] | Lv<br>[mm] | Torx        | Cod.<br>Zincato bianco<br>White zinc ptd. | Cod.<br>Rivestim. 3DG<br>Special anti-<br>corrosion coating | Cod.<br>Inox A4<br>Stain. steel A4 |             |             |
|------------------------|------------------|------------------|------------------|------------|------------------|------------------|------------------|------------------|-----|------------------|-------------|-----------|------------|-------------|---|---|------------------------------------|-------------|-------------|
|                        | 1 <sup>(1)</sup> | 2 <sup>(1)</sup> | 3 <sup>(2)</sup> |            | 1 <sup>(1)</sup> | 2 <sup>(1)</sup> | 3 <sup>(2)</sup> | 1                | 2   | 3 <sup>(2)</sup> |             |           |            |             |   |   |                                    |             |             |
| Ø8x60                  | 20               | 10               | -                | hnom + 15  | 40               | 50               | -                | 100              | 100 | -                | 8,5         | 6         | T30        | 68          | 64602b08060                               | 64602c08060   | 64602008060                        |             |             |
| Ø8x80                  | 40               | 30               | -                |            |                  |                  |                  |                  |     |                  |             |           |            | 88          | 64602b08080                               | 64602c08080   | 64602008080                        |             |             |
| Ø8x100                 | 60               | 50               | -                |            |                  |                  |                  |                  |     |                  |             |           |            | 108         | 64602b08100                               | 64602c08100   | 64602008100                        |             |             |
| Ø8x120                 | 80               | 70               | -                |            |                  |                  |                  |                  |     |                  |             |           |            | 128         | 64602b08120                               | 64602c08120   | 64602008120                        |             |             |
| Ø10x60                 | 10               | -                | -                |            | 50               | -                | -                | 100              | -   | -                |             |           | 68         | 64602b10060 | 64602c10060                               | 64602010060   |                                    |             |             |
| Ø10x80                 | 30               | 10               | -                |            | 50               | 70               | -                | 100              | 120 | -                |             |           | 88         | 64602b10080 | 64602c10080                               | 64602010080   |                                    |             |             |
| Ø10x100                | 50               | 30               | 10               |            | 50               | 70               | 90               | 100              | 120 | 240              |             |           | 10,5       | 7           | T40                                       | 108   | 64602b10100                        | 64602c10100 | 64602010100 |
| Ø10x120                | 70               | 50               | 30               |            |                  |                  |                  |                  |     |                  |             |           |            |             |   | 128   | 64602b10120                        | 64602c10120 | 64602010120 |
| Ø10x140                | 90               | 70               | 50               |            |                  |                  |                  |                  |     |                  |             |           |            |             |   | 148   | 64602b10140                        | 64602c10140 | 64602010140 |
| Ø10x160                | 110              | 90               | 70               |            |                  |                  |                  |                  |     |                  |             |           |            |             |   | 168   | 64602b10160                        | 64602c10160 | 64602010160 |
| Ø10x200                | 150              | 130              | 110              |            |                  |                  |                  |                  |     |                  |             |           |            |             |   | 208   | 64602b10200                        | -           | -           |
| Ø10x230                | 180              | 160              | 140              |            |                  |                  |                  |                  |     |                  |             |           |            |             |   | 238   | 64602b10230                        | -           | -           |
| Ø10x260                | 210              | 190              | 170              | 268        |                  |                  |                  |                  |     |                  | 64602b10260 | -         |            |             |   | -   |                                    |             |             |
| Ø10x290                | 240              | 220              | 200              | 298        |                  |                  |                  |                  |     |                  | 64602b10290 | -         |            |             |   | -   |                                    |             |             |

**Tassello in nylon testa svasata con vite speciale TER / Countersunk nylon plug with special hex head screw**

| tipo<br>type<br>do x L | tfix*<br>[mm]    |                  |                  | h1<br>[mm] | hnom<br>[mm]     |                  |                  | hmin (4)<br>[mm] |     |                  | df<br>[mm] | db<br>[mm] | dr<br>[mm] | d<br>[mm] | Lv<br>[mm] | chiave<br>wrench | Torx | Cod.<br>Zincato bianco<br>White zinc ptd. | Cod.<br>Rivestim. 3DG<br>Special anti-<br>corrosion coating | Cod.<br>Inox A4<br>Stain. steel A4 |
|------------------------|------------------|------------------|------------------|------------|------------------|------------------|------------------|------------------|-----|------------------|------------|------------|------------|-----------|------------|------------------|------|---|---|------------------------------------|
|                        | 1 <sup>(1)</sup> | 2 <sup>(1)</sup> | 3 <sup>(2)</sup> |            | 1 <sup>(1)</sup> | 2 <sup>(1)</sup> | 3 <sup>(2)</sup> | 1                | 2   | 3 <sup>(2)</sup> |            |            |            |           |            |                  |      |   |   |                                    |
| Ø10x60                 | 10               | -                | -                | hnom + 15  | 50               | -                | -                | 100              | -   | -                | 10,5       | 18         | 19         | 7         | 13         | T40              | 68   | 64603b10060                               | 64603c10060   | 64603010060                        |
| Ø10x80                 | 30               | 10               | -                |            | 50               | 70               | -                | 100              | 120 | -                |            |            |            |           |            |                  | 88   | 64603b10080                               | 64603c10080   | 64603010080                        |
| Ø10x100                | 50               | 30               | 10               |            | 50               | 70               | 90               | 100              | 120 | 240              |            |            |            |           |            |                  | 108  | 64603b10100                               | 64603c10100   | 64603010100                        |
| Ø10x120                | 70               | 50               | 30               |            |                  |                  |                  |                  |     |                  |            |            |            |           |            |                  | 128  | 64603b10120                               | 64603c10120   | 64603010120                        |
| Ø10x140                | 90               | 70               | 50               |            |                  |                  |                  |                  |     |                  |            |            |            |           |            |                  | 148  | 64603b10140                               | 64603c10140   | 64603010140                        |
| Ø10x160                | 110              | 90               | 70               |            |                  |                  |                  |                  |     |                  |            |            |            |           |            |                  | 168  | 64603b10160                               | 64603c10160   | 64603010160                        |

\* compreso di intonaco / including plaster.

<sup>(1)</sup> Valori di riferimento su tutti i supporti / Reference values on all types of base materials.

<sup>(2)</sup> Valori riferiti esclusivamente su supporti in Calcestruzzo aerato autoclavato AAC / Values only for Autoclaved aerated concrete AAC base material.

<sup>(4)</sup> Valori di riferimento su calcestruzzo / Reference values on concrete.

**Tassello in nylon bordo maggiorato / Large rim nylon plug**

| tipo<br>type<br>do x L | tfix*<br>[mm]    |                  |                  | h1<br>[mm] | hnom<br>[mm]     |                  |                  | hmin (4)<br>[mm] |     |                  | df<br>[mm] | db<br>[mm] | d<br>[mm] | Lv<br>[mm] | Cod.<br>Solo tassello<br>Plug only |
|------------------------|------------------|------------------|------------------|------------|------------------|------------------|------------------|------------------|-----|------------------|------------|------------|-----------|------------|------------------------------------|
|                        | 1 <sup>(1)</sup> | 2 <sup>(1)</sup> | 3 <sup>(2)</sup> |            | 1 <sup>(1)</sup> | 2 <sup>(1)</sup> | 3 <sup>(2)</sup> | 1                | 2   | 3 <sup>(2)</sup> |            |            |           |            |                                    |
| Ø10x60                 | 10               | -                | -                | hnom + 15  | 50               | -                | -                | 100              | -   | -                | 10,5       | 18         | 7         | L + 5      | 64700010060■                       |
| Ø10x80                 | 30               | 10               | -                |            | 50               | 70               | -                | 100              | 120 | -                |            |            |           |            | 64700010080■                       |
| Ø10x100                | 50               | 30               | 10               |            | 50               | 70               | 90               | 100              | 120 | 240              |            |            |           |            | 64700010100■                       |
| Ø10x120                | 70               | 50               | 30               |            |                  |                  |                  |                  |     |                  |            |            |           |            | 64700010120■                       |
| Ø10x140                | 90               | 70               | 50               |            |                  |                  |                  |                  |     |                  |            |            |           |            | 64700010140■                       |
| Ø10x160                | 110              | 90               | 70               |            |                  |                  |                  |                  |     |                  |            |            |           |            | 64700010160■                       |

■ Misure non certificate / measures not certified.

\* compreso di intonaco / including plaster

<sup>(1)</sup> Valori di riferimento su tutti i supporti / Reference values on all types of base materials

<sup>(2)</sup> Valori riferiti esclusivamente su supporti in Calcestruzzo aerato autoclavato AAC / Values only for Autoclaved aerated concrete AAC base material

<sup>(4)</sup> Valori di riferimento su calcestruzzo / Reference values on concrete

**Tassello in nylon bordo maggiorato con vite speciale TER / Large rim nylon plug with special hex head screw**

| tipo<br>type<br>do x L | tfix*<br>[mm]    |                  |                  | h1<br>[mm] | hnom<br>[mm]     |                  |                  | hmin (4)<br>[mm] |     |                  | df<br>[mm] | db<br>[mm] | dr<br>[mm] | d<br>[mm] | Lv<br>[mm] | chiave<br>wrench | Torx | Cod.<br>Zincato bianco<br>White zinc ptd. | Cod.<br>Rivestim. 3DG<br>Special anti-<br>corrosion coating | Cod.<br>Inox A4<br>Stain. steel A4 |
|------------------------|------------------|------------------|------------------|------------|------------------|------------------|------------------|------------------|-----|------------------|------------|------------|------------|-----------|------------|------------------|------|---|---|------------------------------------|
|                        | 1 <sup>(1)</sup> | 2 <sup>(1)</sup> | 3 <sup>(2)</sup> |            | 1 <sup>(1)</sup> | 2 <sup>(1)</sup> | 3 <sup>(2)</sup> | 1                | 2   | 3 <sup>(2)</sup> |            |            |            |           |            |                  |      |   |   |                                    |
| Ø10x60                 | 10               | -                | -                | hnom + 15  | 50               | -                | -                | 100              | -   | -                | 10,5       | 18         | 19         | 7         | 13         | T40              | 68   | 64703b10060                               | 64703c10060   | 64703010060                        |
| Ø10x80                 | 30               | 10               | -                |            | 50               | 70               | -                | 100              | 120 | -                |            |            |            |           |            |                  | 88   | 64703b10080                               | 64703c10080   | 64703010080                        |
| Ø10x100                | 50               | 30               | 10               |            | 50               | 70               | 90               | 100              | 120 | 240              |            |            |            |           |            |                  | 108  | 64703b10100                               | 64703c10100   | 64703010100                        |
| Ø10x120                | 70               | 50               | 30               |            |                  |                  |                  |                  |     |                  |            |            |            |           |            |                  | 128  | 64703b10120                               | 64703c10120   | 64703010120                        |
| Ø10x140                | 90               | 70               | 50               |            |                  |                  |                  |                  |     |                  |            |            |            |           |            |                  | 148  | 64703b10140                               | 64703c10140   | 64703010140                        |
| Ø10x160                | 110              | 90               | 70               |            |                  |                  |                  |                  |     |                  |            |            |            |           |            |                  | 168  | 64703b10160                               | 64703c10160   | 64703010160                        |

\* compreso di intonaco / including plaster

<sup>(1)</sup> Valori di riferimento su tutti i supporti / Reference values on all types of base materials

<sup>(2)</sup> Valori riferiti esclusivamente su supporti in Calcestruzzo aerato autoclavato AAC / Values only for Autoclaved aerated concrete AAC base material

<sup>(4)</sup> Valori di riferimento su calcestruzzo / Reference values on concrete

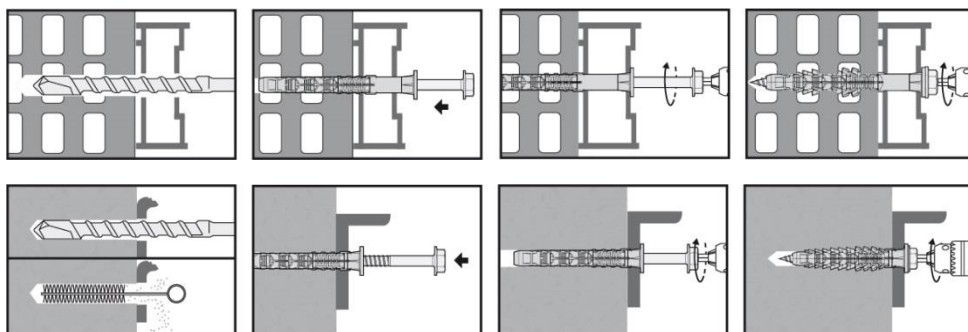
**SUPPORTI – BASE MATERIALS\***

● idoneo / suitable applications    ◐ parzialmente indicato / partially suitable applications

- calcestruzzo / concrete
- mattone semipieno / honeycomb brick
- blocco forato Poroton / light weight honeycomb brick
- blocco forato Leca / hollow light aggregate block
- pietra compatta / solid stone
- mattone pieno / solid brick
- mattone forato / cell like clay brick
- blocco forato cemento / hollow dense aggregate block
- Calcestruzzo aerato autoclavato / Autoclaved aerated concrete

\* L'utilizzo del tassello di diametro 6 su supporti forati è da considerare come parzialmente indicato.  
The use of the Ø6 plug of perforated supports is to be considered as partially suitable.

**INSTALLAZIONE – INSTALLATION**



|  |   |
|--|---|
| <b>Temperatura di posa / Installation temperature:</b>   | ≥ -10 / ≤ +40 °C                          |
| <b>Temperatura di esercizio / Working temperature:</b>   | Vedi Nota tabella - See the Note of Table |
| Non sono consigliate applicazioni permanenti con carichi sospesi oltre i 40°C utilizzando ancoranti plastici<br>The use of plastic anchors is not recommended for permanent suspended loading applications above 40°C. |   |

**CARATTERISTICHE ANCORANTE - PRODUCT FEATURES**

| Tipo<br>Type  | Materiale<br>Material   | Rivestimento<br>Coating |
|---|---|-------------------------|
| <b>Tassello<br/>Plug</b>  | Nylon Pa6   | -                       |
| <b>Vite – zincato bianco<br/>Screw – white zinc plated</b>                | Ø4,5 acciaio cl. 5.8 / Ø4,5 steel grade 5.8<br>Ø6 acciaio cl. 6.8 / Ø6 steel grade 6.8<br>Ø7 acciaio cl. 6.8 / Ø7 steel grade 6.8 | ≥ 5µm ISO 4042          |
| <b>Vite – inox<br/>Screw – stainless steel</b>                            | inox A4 - 70<br>stainless steel A4 - 70   | -                       |
| <b>Vite – Rivestimento 3DG<br/>Screw – Special anti-corrosion coating</b> | Ø6 acciaio cl. 6.8 / Ø6 steel grade 6.8<br>Ø7 acciaio cl. 6.8 / Ø7 steel grade 6.8  | ≥ 10µm ISO 4042         |

| Tipo tassello<br>Plug diameter   |                  |      | Ø8   | Ø10  |
|--|------------------|------|------|------|
| <b>Momento flettente vite in acciaio zincato bianco<br/>Recommended bending moment – white zinc plated screw</b>                         | $M_{rd}^{(1)}$   | [Nm] | 11,3 | 18,2 |
|  | M <sup>(2)</sup> | [Nm] | 8,1  | 13   |
| <b>Momento flettente ammissibile vite in acciaio con Rivestimento 3DG<br/>Bending moment – screw with Special anti-corrosion coating</b> | $M_{rd}^{(1)}$   | [Nm] | 11,3 | 18,2 |
|  | M <sup>(2)</sup> | [Nm] | 8,1  | 13   |
| <b>Momento flettente vite in acciaio INOX<br/>Bending moment – stainless steel screw</b>   | $M_{rd}^{(1)}$   | [Nm] | 8,3  | 16,6 |
|  | M <sup>(2)</sup> | [Nm] | 5,9  | 11,9 |

(1) I carichi di progetto  $M_{rd}$  derivano dai carichi caratteristici riportati sulla certificazione ETA-19/0245 e sono comprensivi del coefficiente parziale di sicurezza  $\gamma_{ms} = 1,25$  per acciaio galvanizzato e  $\gamma_{ms} = 1,56$  per acciaio inox, in assenza di altre normative nazionali. / The design loads  $M_{rd}$  derive from the characteristic loads on the ETA-19/0245 certification and are inclusive of the partial safety factors  $\gamma_m = 1,25$  for galvanized steel and  $\gamma_{ms} = 1,56$  for stainless steel acciaio inox, in absence of other national regulations.

(2) I carichi ammissibili M, derivano dai carichi caratteristici riportati sulla certificazione ETA-19/0245 e sono comprensivi del coefficiente parziale di sicurezza  $\gamma_F = 1,4$  e  $\gamma_{ms} = 1,25$  per acciaio galvanizzato e  $\gamma_{ms} = 1,56$  per acciaio inox, in assenza di altre normative nazionali. / The design loads M, derive from the characteristic loads on the ETA-19/0245 certification and are inclusive of the partial safety factors  $\gamma_F = 1,4$  and  $\gamma_m = 1,25$  for galvanized steel and  $\gamma_{ms} = 1,56$  for stainless steel acciaio inox, in absence of other national regulations.



ETA - 19/0245

**CARICHI di PROGETTO <sup>(1)</sup> e AMMISSIBILI <sup>(2)</sup> (consigliati)**  
**DESIGN <sup>(1)</sup> and RECOMMENDED <sup>(2)</sup> LOADS**

Ancorante singolo senza influenza derivante da distanza dal bordo o interasse / Single anchor with large anchor spacing and edge distances.

| Ancorante<br>Anchor   |                 | Ø6 ■                 |      | Ø8   |      | Ø10            |      |
|---|-----------------|----------------------|------|------|------|----------------|------|
| <b>Profondità minima di posa</b><br><b>Nominal embedment depth</b>  | $h_{nom}$ [mm]  | 25                   | 30   | 40   | 50   | 50             | 70   |
| <b>Calcestruzzo C16/20</b><br><b>Concrete C16/20</b>  | $F_{rd}$ [kN]   | 0,55                 | 0,63 | 0,83 | 1,67 | 2,5            | 3,61 |
|   | $F$ [kN]        | 0,40                 | 0,45 | 0,60 | 1,20 | 1,80           | 2,60 |
| Distanza caratteristica dal bordo / Characteristic edge distance  | $C_{cr,N}$ [mm] | 50                   | 50   | 60   | 60   | 100            | 100  |
| Minimo interasse / Minimum spacing  | $S_{min}$ [mm]  | 50                   | 50   | 60   | 60   | 50 for C ≥ 100 |      |
| Minima distanza dal bordo / Minimum edge distance   | $C_{min}$ [mm]  | 50                   | 50   | 50   | 50   | 50 for S ≥ 150 |      |
| Spessore minimo calcestruzzo / Minimum thickness of concrete  | $h_{min}$ [mm]  | 80                   | 80   | 100  | 100  | 100            | 120  |
| <b>Calcestruzzo C12/15</b><br><b>Concrete C12/15</b>  | $F_{rd}$ [kN]   | -                    | -    | 0,65 | 1,20 | 1,80           | 2,75 |
|   | $F$ [kN]        | -                    | -    | 0,45 | 0,85 | 1,30           | 1,95 |
| Distanza caratteristica dal bordo / Characteristic edge distance  | $C_{cr,N}$ [mm] | -                    | -    | 85   | 85   | 140            | 140  |
| Minimo interasse / Minimum spacing  | $S_{min}$ [mm]  | -                    | -    | 85   | 85   | 70 for C ≥ 140 |      |
| Minima distanza dal bordo / Minimum edge distance   | $C_{min}$ [mm]  | -                    | -    | 70   | 70   | 70 for S ≥ 210 |      |
| Spessore minimo calcestruzzo / Minimum thickness of concrete  | $h_{min}$ [mm]  | -                    | -    | 100  | 100  | 100            | 120  |
| <b>Mattone Pieno - MZ 2,0/20 verzahnt 3DF</b><br><b>Solid brick - MZ 2,0/20 verzahnt 3DF - Hörl &amp; Hartmann Ziegeltechnik GmbH</b>             | $F_{rd}$ [kN]   | -                    | -    | -    | 1,40 | 1,60           | -    |
|   | $F$ [kN]        | -                    | -    | -    | 1,00 | 1,15           | -    |
| Spessore minimo / Minimum thickness   | $h_{min}$ [mm]  | -                    | -    | 175  |      |                |      |
| Metodo di foratura / Drill method   |                 | Percussione / Hammer |      |      |      |                |      |
| <b>Mattone forato in laterizio - Poroton P800 30.19.25</b><br><b>Hollow clay brick - Poroton P800 30.19.25 - Danesi Spa</b>                       | $F_{rd}$ [kN]   | -                    | -    | -    | 0,60 | 0,80           | 0,60 |
|   | $F$ [kN]        | -                    | -    | -    | 0,43 | 0,57           | 0,43 |
| Spessore minimo / Minimum thickness   | $h_{min}$ [mm]  | -                    | -    | 250  |      |                |      |
| Metodo di foratura / Drill method   |                 | Rotazione / Rotary   |      |      |      |                |      |
| <b>Mattone forato in laterizio - BIO PLAN 45-25/19,9</b><br><b>Hollow clay brick - BIO PLAN 45-25/19,9 - Wienerberger AG</b>                      | $F_{rd}$ [kN]   | -                    | -    | -    | 0,48 | 0,60           | 0,80 |
|   | $F$ [kN]        | -                    | -    | -    | 0,36 | 0,43           | 0,57 |
| Spessore minimo / Minimum thickness   | $h_{min}$ [mm]  | -                    | -    | 450  |      |                |      |
| Metodo di foratura / Drill method   |                 | Rotazione / Rotary   |      |      |      |                |      |
| <b>Mattone forato in laterizio - Doppio UNI 12x25x12</b><br><b>Hollow clay brick - Doppio UNI 12x25x12 - Wienerberger AG</b>                      | $F_{rd}$ [kN]   | 0,29                 | -    | -    | 0,60 | 0,60           | 0,60 |
|   | $F$ [kN]        | 0,21                 | -    | -    | 0,43 | 0,43           | 0,43 |
| Spessore minimo / Minimum thickness   | $h_{min}$ [mm]  | 120                  |      |      |      |                |      |
| Metodo di foratura / Drill method   |                 | Rotazione / Rotary   |      |      |      |                |      |
| <b>Mattone forato in laterizio - BIO PLAN 45-25/19,9T-0,09</b><br><b>Hollow clay brick - BIO PLAN 45-25/19,9T-0,09 - Wienerberger AG</b>          | $F_{rd}$ [kN]   | -                    | -    | -    | 0,48 | 0,60           | 0,30 |
|   | $F$ [kN]        | -                    | -    | -    | 0,34 | 0,43           | 0,21 |
| Spessore minimo / Minimum thickness   | $h_{min}$ [mm]  | -                    | -    | 450  |      |                |      |
| Metodo di foratura / Drill method   |                 | Rotazione / Rotary   |      |      |      |                |      |
| <b>Mattone forato in laterizio - SM B 15/19</b><br><b>Hollow clay brick - SM B 15/19 - ZZ Wancor AG, Switzerland</b>                              | $F_{rd}$ [kN]   | -                    | -    | -    | 0,60 | 0,60           | 0,80 |
|   | $F$ [kN]        | -                    | -    | -    | 0,43 | 0,43           | 0,57 |
| Spessore minimo / Minimum thickness   | $h_{min}$ [mm]  | -                    | -    | 150  |      |                |      |
| Metodo di foratura / Drill method   |                 | Rotazione / Rotary   |      |      |      |                |      |
| <b>Mattone forato in laterizio Leggero 12x25x50</b><br><b>Hollow clay brick 12x25x50 - Wienerberger AG</b>  | $F_{rd}$ [kN]   | -                    | -    | -    | 0,36 | 0,24           | 0,36 |
|   | $F$ [kN]        | -                    | -    | -    | 0,26 | 0,17           | 0,26 |
| Spessore minimo / Minimum thickness   | $h_{min}$ [mm]  | -                    | -    | 120  |      |                |      |
| Metodo di foratura / Drill method   |                 | Rotazione / Rotary   |      |      |      |                |      |
| <b>Mattone forato in laterizio - Poroton P700TS 35.24,5.25 inc.35</b><br><b>Hollow clay brick - Poroton P700TS 35.24,5.25 inc.35 - Danesi Spa</b> | $F_{rd}$ [kN]   | 0,19                 | -    | -    | 0,48 | 0,24           | 0,36 |
|   | $F$ [kN]        | 0,14                 | -    | -    | 0,34 | 0,17           | 0,26 |
| Spessore minimo / Minimum thickness   | $h_{min}$ [mm]  | 350                  |      |      |      |                |      |
| Metodo di foratura / Drill method   |                 | Rotazione / Rotary   |      |      |      |                |      |

**X3**

Tassello prolungato ad alte prestazioni  
High performance long plug

Rev: 09  
Pag. 5/6

|  |  |                   |      |                    |   |    |      |      |      |
|--|--|-------------------|------|--------------------|---|----|------|------|------|
| Mattone forato in calcestr. Leggero - Leca Universalblokk 20   | EN771-3 fb ≥ 3 MPa                     | F <sub>rd</sub>   | [kN] | -                  | - | -  | 0,48 | 0,60 | 0,60 |
| Hollow lightweight concrete brick - Leca Universalblokk 20 - Leca Norge AC   |  | F                 | [kN] | -                  | - | -  | 0,34 | 0,43 | 0,43 |
| Spessore minimo / Minimum thickness  |  | h <sub>min</sub>  | [mm] | -                  | - |    | 200  |      |      |
| Metodo di foratura / Drill method  |  |                   |      | Rotazione / Rotary |   |    |      |      |      |
| Minimo interasse singolo ancorante / Minimum spacing Single anchor   |  | S <sub>min</sub>  | [mm] | -                  | - | -  | 250  | 250  | 250  |
| Minima distanza dal bordo singolo ancor. / Minimum edge distance Single anchor                                     |  | C <sub>min</sub>  | [mm] |                    |   |    | 100  | 100  |      |
| Spaziatura perpendicolare al bordo libero in gruppo di ancoranti / Spacing perpendiculat to free edge anchor group |  | S <sub>1min</sub> | [mm] |                    |   |    | 100  | 100  |      |
| Spaziatura parallela al bordo libero in gruppo di ancoranti / Spacing parallel to free edge anchor group           |  | S <sub>2min</sub> | [mm] |                    |   |    | 100  | 100  |      |
| Minima distanza dal bordo singolo ancor. / Minimum edge distance Single anchor                                     |  | C <sub>min</sub>  | [mm] | -                  | - | -  | 100  | 100  |      |
| Coppia max serraggio su calcestruzzo (4)<br>Max torque on concrete (4)   | acciaio zincato / zinc plated screw    | T <sub>max</sub>  | [Nm] | 3                  |   | 9  |      | 15   |      |
|  | Rivestim. 3DG / anti-corrosion plating |                   |      | -                  |   | 9  |      | 15   |      |
|  | inox / stainless steel                 |                   |      | -                  |   | 10 |      | 20   |      |

■ Misure non certificate CE / Not covered by CE certification



ETA - 19/0245

**CARICHI di PROGETTO (1) e AMMISSIBILI (2) (consigliati)**  
**DESIGN (1) and RECOMMENDED (2) LOADS**

Ancorante singolo senza influenza derivante da distanza dal bordo o interasse / Single anchor with large anchor spacing and edge distances.

| Ancorante<br>Anchor  |  |                   |      | Ø10                      |      |
|--|--|-------------------|------|--------------------------|------|
| Profondità minima di posa<br>Nominal embedment depth   |  | h <sub>nom</sub>  |      | 70                       | 90   |
| Calcestruzzo aerato autoclavato AAC 2<br>Autoclaved aerated concrete AAC 2   | Densità/Bulk density ≥ 0,35 Kg/dm <sup>3</sup><br>EN771-4 fb ≥ 2,0 MPa | F <sub>rd</sub>   | [kN] | 0,25                     | 0,3  |
|  |  | F                 | [kN] | 0,18                     | 0,21 |
| Calcestruzzo aerato autoclavato AAC 6<br>Autoclaved aerated concrete AAC 6   | Densità/Bulk density ≥ 0,65 Kg/dm <sup>3</sup><br>EN771-4 fb ≥ 6,0 MPa | F <sub>rd</sub>   | [kN] | 1,00                     | 1,25 |
|  |  | F                 | [kN] | 0,71                     | 0,90 |
| Spessore minimo cemento cellulare / Minimum thickness of AAC   |  | h <sub>min</sub>  | [mm] | 240                      | 240  |
| Metodo di foratura / Drill method  |  |                   |      | Rotazione / Rotary       |      |
| Minimo interasse singolo ancorante / Minimum spacing Single anchor   |  | S <sub>min</sub>  | [mm] | 250                      | 250  |
| Minima distanza dal bordo singolo ancor. / Minimum edge distance Single anchor                                     |  | C <sub>min</sub>  | [mm] | 100 (105) <sup>(3)</sup> |      |
| Spaziatura perpendicolare al bordo libero in gruppo di ancoranti / Spacing perpendiculat to free edge anchor group |  | S <sub>1min</sub> | [mm] | 100                      | 100  |
| Spaziatura parallela al bordo libero in gruppo di ancoranti / Spacing parallel to free edge anchor group           |  | S <sub>2min</sub> | [mm] | 100                      | 100  |
| Minima distanza dal bordo singolo ancor. / Minimum edge distance Single anchor                                     |  | C <sub>min</sub>  | [mm] | 100                      | 100  |

1kN ≈ 100 kgf

■ Misure non certificate CE / Not covered by CE certification

I valori riportati fanno riferimento esclusivamente al prodotto venduto in abbinamento tassello e viti standard Friulsider della presente scheda tecnica.

/ The values shown refer exclusively to the product sold in combination plug with the standard screws Friulsider of this technical data sheet.

NOTE: I valori di carico riportati fanno riferimento a temperature di esercizio ≤ 40°C. Per temperature di utilizzo superiori a 40° fare riferimento a valori riportati sulla certificazione ETA-19/0245

NOTE: The above load values refer to a working temperature of ≤ 40°C. For temperature higher than 40°, please consult ETA-19/0245 for values.

(1) I carichi di progetto F<sub>rd</sub> derivano dai carichi caratteristici riportati sulla certificazione ETA-19/0245 e sono comprensivi del coefficiente parziale di sicurezza γ<sub>m</sub> per diversa categoria di supporto da costruzione (vedi ETA). / The design loads F<sub>rd</sub> derive from the characteristic loads on the ETA-19/0245 certification and are inclusive of the partial safety factors γ<sub>m</sub> for each construction support category (see ETA).

I carichi di progetto F<sub>rd</sub> per gli ancoranti non certificati, derivano dai carichi caratteristici medi di rottura e sono comprensivi del coefficiente di sicurezza totale γ = 6. Dati ricavati senza la presenza di intonaco ed esclusione della percussione nella fase di foratura su mattone semipieno e mattone forato / The design loads F<sub>rd</sub> for non-certified anchors, derive from the mean ultimate loads and are inclusive of the total safety factor γ = 6. Base material without plaster, avoid rotary percussion when drilling into honeycomb brick and cell like clay brick.

(2) I carichi ammissibili F derivano dai carichi caratteristici riportati sulla certificazione ETA-19/0245 e sono comprensivi del coefficiente parziale di sicurezza γ<sub>t</sub> = 1,4 e γ<sub>m</sub> per diversa categoria di supporto da costruzione (vedi ETA). / The recommended loads F derive from the characteristic loads on the ETA-19/0245 certification and are inclusive of the partial safety factors γ<sub>t</sub> = 1,4 and γ<sub>m</sub> for each construction support category (see ETA).

I carichi ammissibili  $F$  per gli ancoranti non certificati, derivano dai carichi caratteristici medi di rottura e sono comprensivi del coefficiente parziale di sicurezza  $\gamma_f = 1,4$  e  $\gamma = 6$ . Dati ricavati senza la presenza di intonaco ed esclusione della percussione nella fase di foratura su mattone semipieno e mattone forato. / *The recommended loads  $F$  for non-certified anchors, derive from the mean ultimate loads and are inclusive of the partial safety factor  $\gamma_f = 1,4$  and  $\gamma = 6$ . Base material without plaster, avoid rotary percussion when drilling into honeycomb brick and cell like clay brick.*

Dati indicativi, in caso di mattoni spezzati raddoppiare le distanze / *In case of broken bricks double the distances of the indicative data.*

- <sup>(3)</sup> valori tra parentesi validi solo per AAC6 per  $h_{nom} = 90\text{mm}$  / *values in brackets valid only for solid AAC6 for  $h_{nom} = 90\text{mm}$*
- <sup>(4)</sup> I valori riportati fanno riferimento al prodotto venduto in abbinamento tassello e viti standard Friulsider della presente scheda tecnica. Per altri tipi di supporto, la coppia di serraggio deve essere regolata in funzione del tipo di installazione e del supporto. / *The values shown refer to the product Friulsider sold in combination plug with the standard screws of this technical data sheet. For other types of base materials, the torque has to be regulated according to the type of installation and base material.*

**I dati prestazionali riportati fanno riferimento al sistema di fissaggio solo se completo di tassello e vite forniti in abbinata dalla Friulsider S.p.A.**  
***The performance data shown refers to the fixing system only if the supplied Friulsider S.p.A. plug and coupled screw are used together.***

In assenza di marcatura CE, i carichi consigliati derivano da prove eseguite presso il laboratorio Friulsider nel rispetto delle norme di riferimento. I valori di carico riportati hanno valore solo se l'installazione è stata eseguita correttamente. Il progettista è responsabile del dimensionamento e del numero degli ancoraggi. / *In the absence of CE markings, the recommended loads derive from tests carried out in the Friulsider laboratory in accordance with the appropriate standards. The load values are only valid if the installation has been carried out correctly. The design engineer is responsible for the designing and calculation of the fixing.*

Acquistando il prodotto, l'utilizzatore è tenuto ad osservare scrupolosamente le istruzioni riportate sull'imballo (se presenti) e sulla documentazione relativa al prodotto disponibile sul sito internet [www.friulsider.com/download.html](http://www.friulsider.com/download.html). Friulsider S.p.A. non risponderà ad alcun titolo di danni a persone o cose che dovessero essere conseguenza di una conservazione od uso diversi da quelli descritti.

*By purchasing the product, the user is required to scrupulously observe the instructions on the packaging (if present) and on the documentation relating to the product available on the website [www.friulsider.com/download.html](http://www.friulsider.com/download.html). Friulsider S.p.A. will not be liable for any damage to persons or things that may be the consequence of a conservation or use other than those described.*

Le **schede tecniche** (ultima revisione) dei prodotti Friulsider sono disponibili sul sito [www.friulsider.com](http://www.friulsider.com)  
The **technical sheets** (latest revision) of Friulsider products are available on the website [www.friulsider.com](http://www.friulsider.com)

In caso di traduzioni, i documenti ufficiali di riferimento sono quelli in lingua italiana.  
*In the case of translations, the official reference documents are those in Italian.*